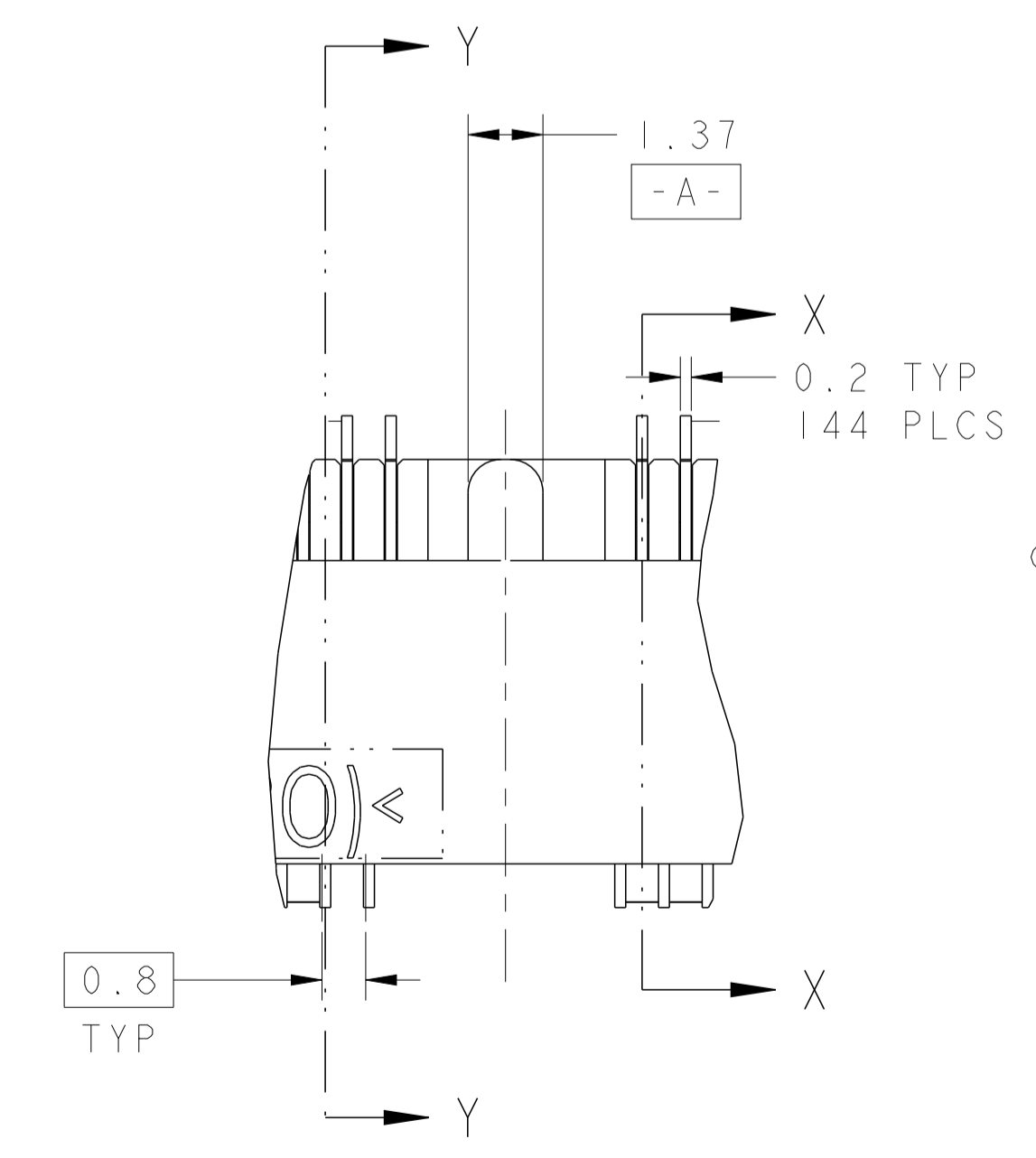
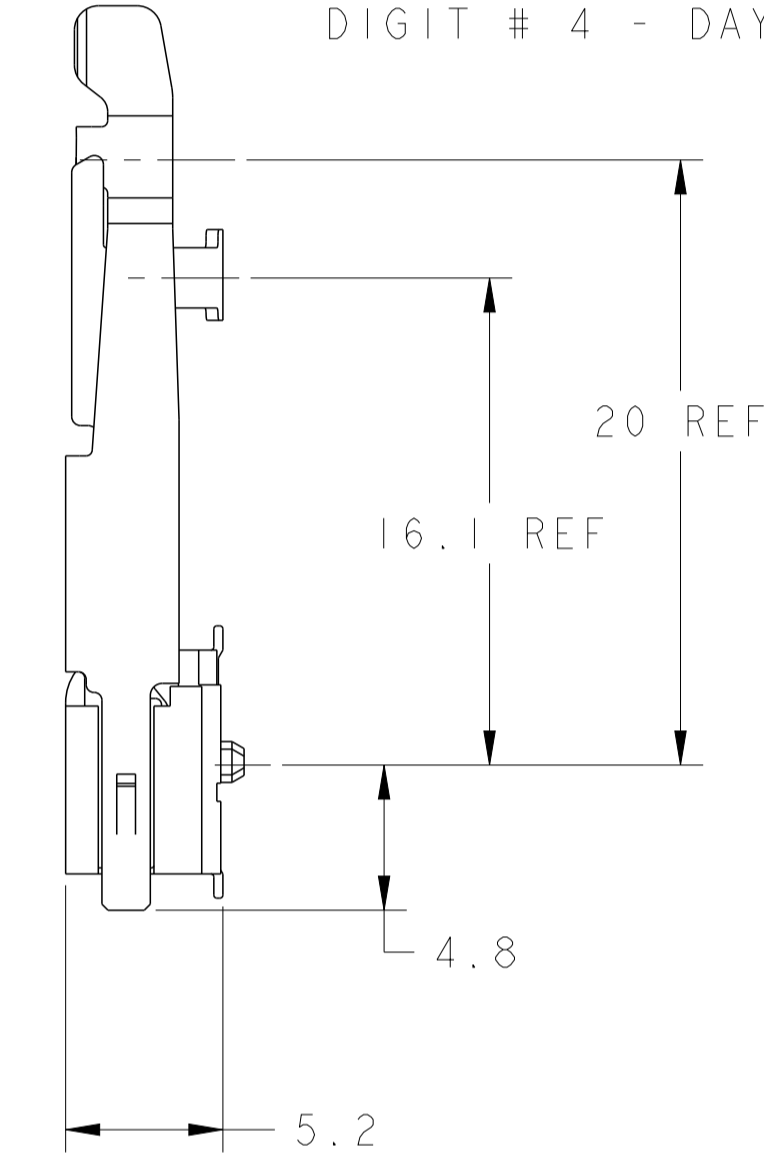
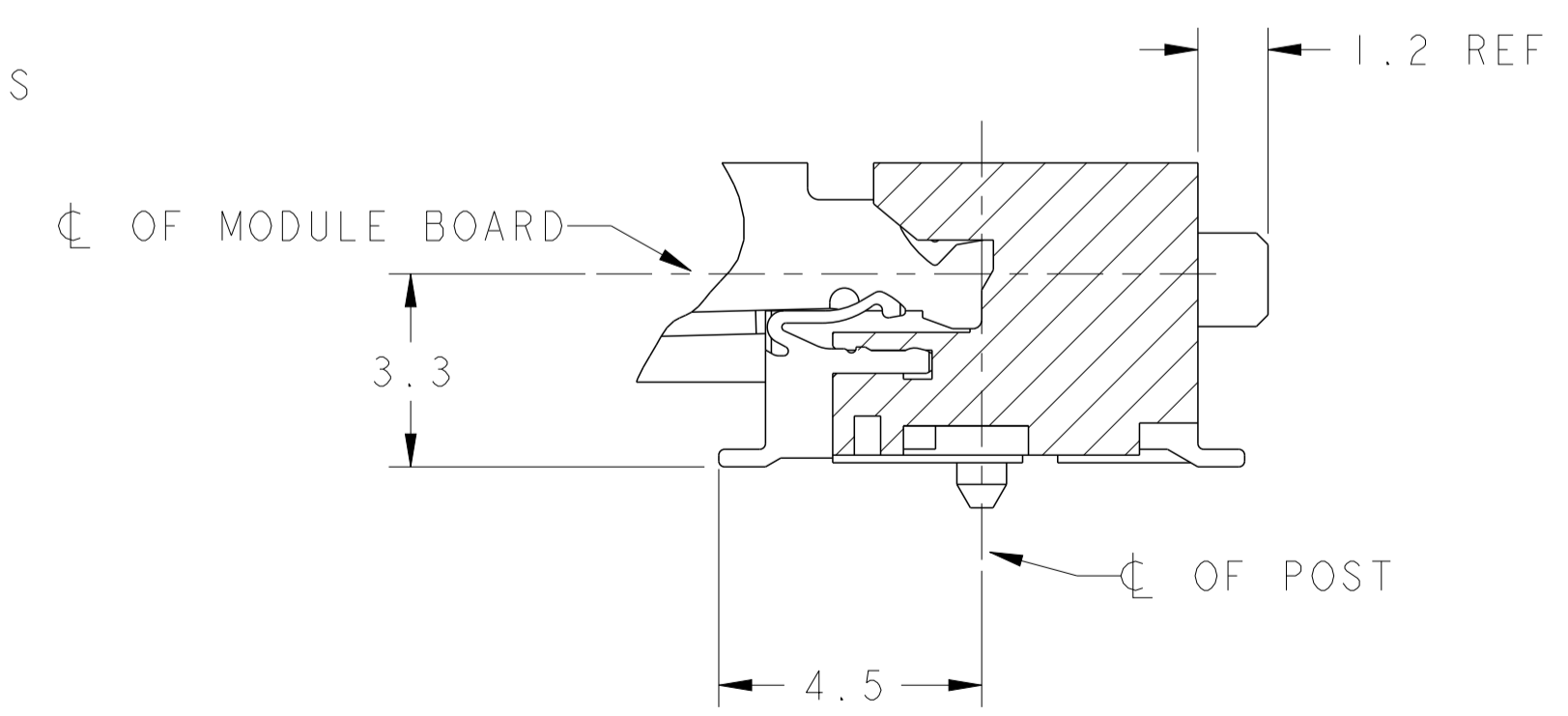


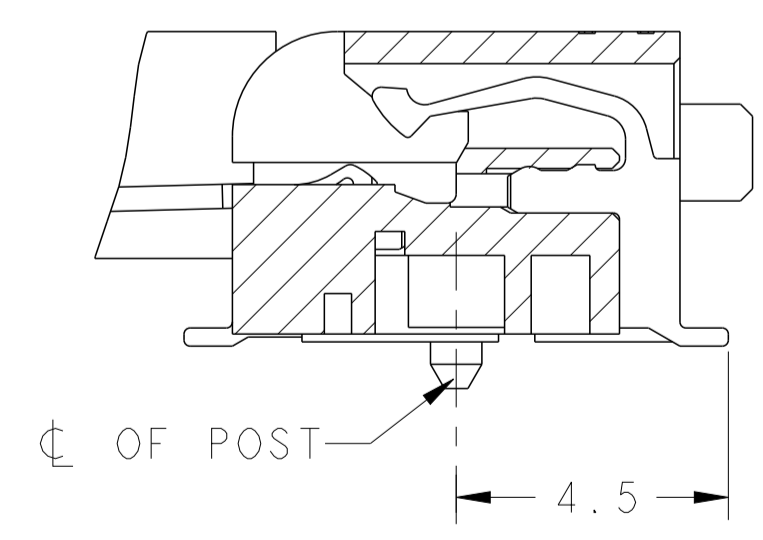
- 1 MATERIAL:
HOUSING: HIGH TEMPERATURE PLASTIC, UL94V-0, NAT.
CONTACT: COPPER ALLOY
LATCH: SUS301 STAINLESS STEEL PLATING.
- 2 FINISH; CONTACT AREA: 0.00025 MIN GOLD PLATE ON 0.001 MIN ALL OVER NICKEL
SOLDERING AREA: 0.00005 MIN TO 0.00030 MAX GOLD PLATE.
- 3. TOLERANCES NON-ACCUMULATIVE.
- 4 PACKAGED 12 PIECES PER HARD TRAY.
- 5 FINISH; CONTACT AREA: 0.00025 MIN GOLD PLATE ON 0.001 MIN ALL OVER NICKEL
SOLDERING AREA: BRIGHT TIN LEAD PLATE.
- 6 PART PACKAGED PER EIA-1875 STANDARD. REEL DIAMETER SHALL BE 330mm. TAPE WIDTH SHALL BE 88mm AND TAPE PITCH SHALL BE 36mm.
- 7 DATE CODE (4-DIGITS), LOCATED AS SHOWN. TO BE INTERPRETED AS FOLLOWS:
DIGIT # 1 - LAST DIGIT OF YEAR.
DIGITS # 2 AND # 3 - CALENDAR WEEK.
DIGIT # 4 - DAY OF THE WEEK (WITH SUNDAYS AS DAY 1).



DETAIL B
SCALE 8:1



SECTION X-X
ROTATED 90° CCW
SCALE 8:1



SECTION Y-Y
ROTATED 90° CCW
SCALE 8:1

NIL	AVAILABLE	2	DRAM 3.3V	144	6-390113-1	6
3-390113-1	NOT AVAILABLE	5	DRAM 3.3V	144	3-390113-4	4
NIL	AVAILABLE	2	DRAM 3.3V	144	3-390113-1	4
390113-1	NOT AVAILABLE	5	DRAM 3.3V	144	390113-4	
NIL	AVAILABLE	2	DRAM 3.3V	144	390113-1	
SUPERSEDED BY	REMARKS	FINISH	POWER SUPPLY	POS	PART NUMBER	

DIMENSIONS: mm		TOLERANCES UNLESS OTHERWISE SPECIFIED:		DWG: W. SORAH 6-20-97 CHK: R. TALLEY 6-20-97		APPROVED: SE LEONG		NAME: S.O. DIMM SOCKET, 0.8mm PITCH, 3.3V, 144 POSITION, STD PROFILE FOR SDRAM TYPE MODULE	
MATERIAL: 1		FINISH: SEE TABLE		APPROVAL: PRODUCT SPEC 108-1739 APPLICATION SPEC 114-1114		SIZE: A1		CAGE CODE: 00779	
CUSTOMER DRAWING		SCALE: 4:1		SHEET: 1 OF 2		REV: M1		STE TE Connectivity	

